

# EP5 & EP7 Cutter Head

SOLID PROFILE WOODWORKING

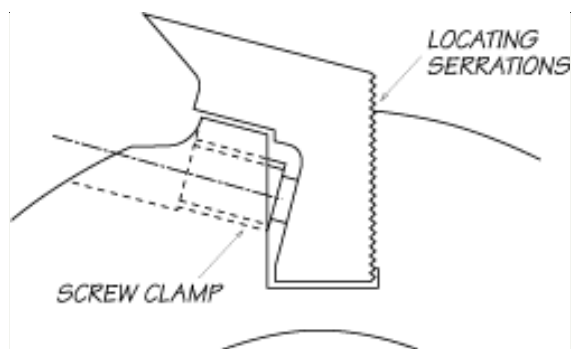


**Eric Paton  
Engineering**

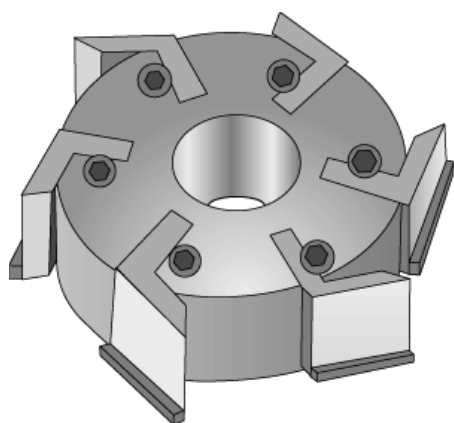
A DIVISION OF WE CAN PRECISION ENGINEERING



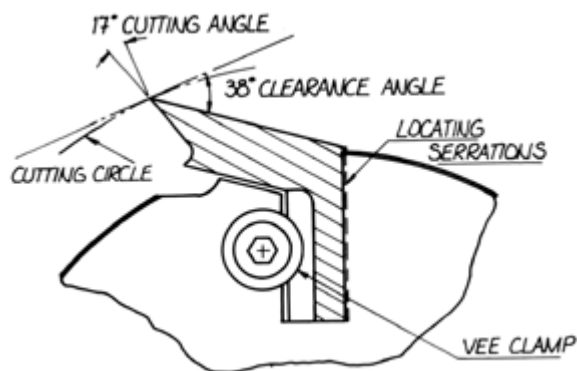
EIGHT POCKET EP5 CUTTER HEAD



EP5 CUTTER CLAMPING



SIX POCKET EP7 CUTTER HEAD WITH  
50MM EASED EDGE CUTTERS



EP7 CUTTER CLAMPING

**Eric Paton Engineering (A division of We Can Precision Engineering)**

303 Wilson Road, Hastings, New Zealand • Phone: +64 6879 7561 • Email: [info@we-can.co.nz](mailto:info@we-can.co.nz)